

# Introducing: The "Aviator" stairlift by Pilot



Greater Houston Stair Lifts

[281-538-1215](tel:281-538-1215)

Technical Specs	
Weight capacity	350lb / 158kg
Motor	1/2HP, 24VDC
Speed	18~25fpm (5.4~7.8m/min)
Incline limits	25°~55°
Travel	15' 9" (4.8m) STD/ 31' 6" (9.6m) MAX
Drive method	Rack & pinion
Charger	100~240VAC, 50~60HZ
Battery	24VDC Rechargeable batteries
Brake	Electro/mechanical brake + Over-speed Governor
Internal arm rest width	16" - 20"
Seat to footplate height	17" - 20"
Diagnostic Display	Informs user of lift status
Remote Controls	Comes w/ 2 Reprogrammable remotes
Compliance Standards	ASME A18.1/A17.5 & EN81-40
Safety Sensors	5 Built-in Safety Sensors, Standard
Safety Devices	Overtravel Prevention, Motor Brake, Key Switch, Retractable Seat Belt, Armrest and Swivel Seat Safety Switches
Warranty	5-Year Motor/Gear Box 2-Year on Components



**Available In three colors  
beige, brown and red**



**Pilot**  
KEEP MOVING

## Pilot Aviator

### Features and Benefits

*Stylish padded upholstery available in a choice of three colors*

*Smooth, quiet operation with soft start/stop technology*

*Fully re-handable - Converts from RH to LH in minutes*

*Fully adjustable - The armrest width and the seat height can be tailored to meet your customers individual needs*

*Diagnostic display - To inform the user of the status of the lift*

*Remote controls - easy and convenient to call or send the lift remotely*

*Compact design - Stairlift folds to 13" from the wall and less than 8" track intrusion*

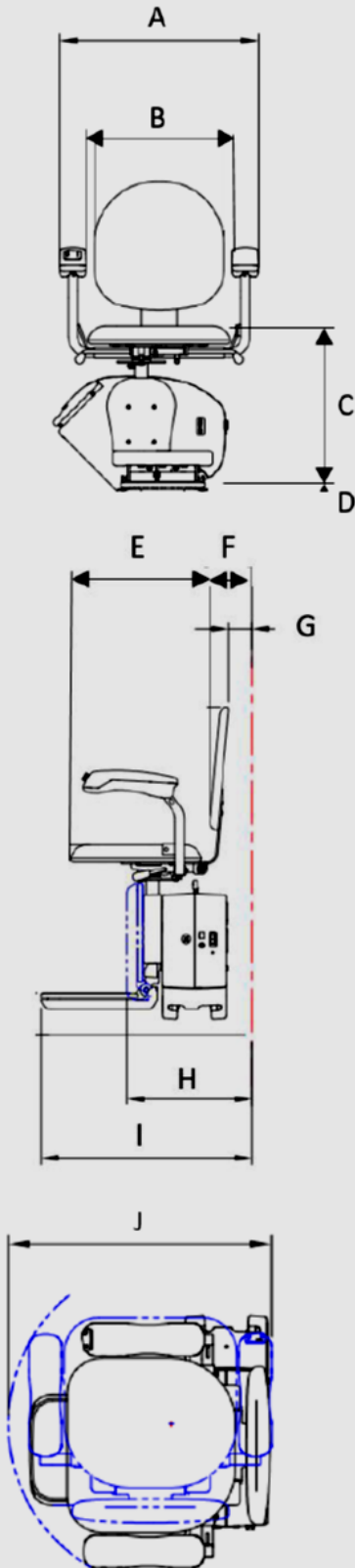
*Innovative supports makes installation easy, even on irregular stair treads*

*Simple no fuss installation*

*Automatic Hinge option available soon.....*

# AVIATOR E603

## Dimensions & Technical specifications



Front view	Inches
A - External armrest width	22 to 26
B - Internal armrest width	16 to 20
C - Seat to footrest height	17 to 20
D - Footrest to floor	4

Side view and top view	Inches
E - Seat depth	16.36
F - Wall to inside of seat	3.3
G - Wall to seat back	1.18
H - Folded width	13
I - Unfolded width	23
J - Swivel radius	24
Track intrusion	7.88

Technical specifications	
Weight capacity	350Lbs
Minimum angle	25 degrees
Maximum angle	55 degrees
Speed	18-25 Ft/min
Driving means	Rack & pinion
Outlet requirement	100 - 240VAC
Batteries	24VDC

Please note, all dimensions that are measured from the wall are the minimum that can be achieved. Adjustments to these dimensions may be necessary to account for any obstructions that are present.