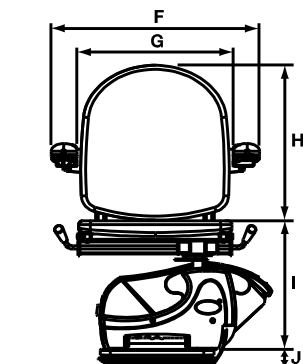
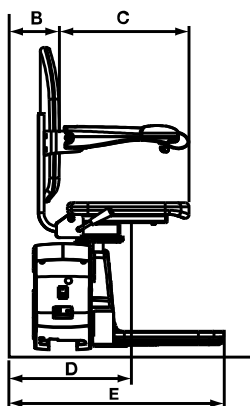
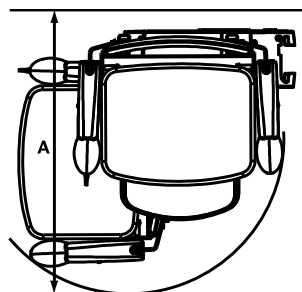


## 950 Straight Stairlift Dimensions



Simplicity Seat	Dimensions
A – Minimum swivel radius · With short armrest	26.75in 25.375in
B – Wall to inner seat back	3in
C – Seat depth	14.5in
D – Minimum folded width to footrest	11.25in
E – Minimum open width to edge of footrest	22.875in
F – Armrest width (external)	22.375in
G – Armrest width (internal)	18.75in
H – Seat back height	15.75in
I – Footrest to seat height · Standard seat option · Extended seat post	15.375in – 19.25in 18.125in – 22.125in
J – Minimum footrest height	2in
Minimum track intrusion into staircase	6.25in
Maximum weight limit · Hinge or SlideTrack	310lbs 265lbs

Some of the above dimensions depend on the characteristics of the staircase in the home. Please consult the sales manual for further information about these dimensions and features of this seat. All information is provided in good faith but does not constitute a guarantee. Handicare reserves the right to alter designs and specifications without prior notice.